

A- 60CF001

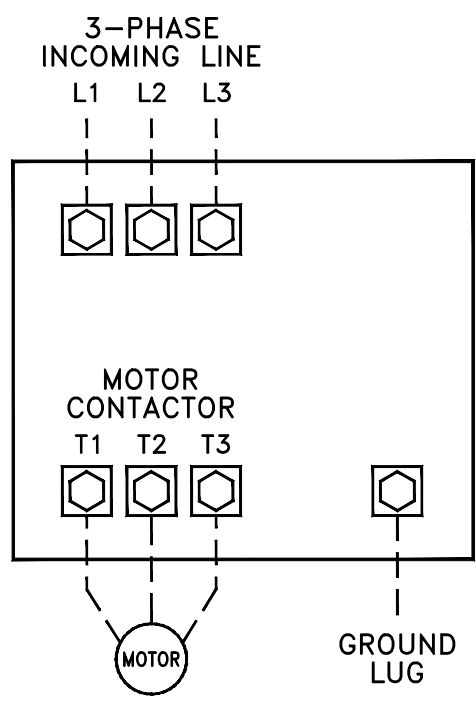
NOTES


- 1 - Incoming line terminals are provided to accommodate 125% of of motor full load current per NFPA-20, Article 6-3.4, and NFPA 70 Tables 430-150 and 310-16. Copper (CU) wire is recommended.
- 2 - For correct field wire sizing, refer to the National Electrical Code, NFPA-70.

PRESSURE SYSTEM CONNECTION
1/2" NPT

NOTE: CONTACTS RATED FOR PILOT DUTY ONLY,
240 VAC, 5A MAXIMUM LOAD.
EXTERNAL CONTROL WIRE #14 AWG MINIMUM RECOMMENDED.

FOR JOCKEY FIRE PUMP CONTROLLER SCHEMATIC DIAGRAM,
REFERENCE: SCHEMATIC PER SPECIFIC ORDER.



E				M/L NO.	STANDARD LX-600 FIELD CONNECTIONS PRESSURE MAKE UP (JOCKEY) FIRE PUMP CONTROLLER			
D				MOTION:				
C				REF.				
B				CADD NO. 60CF001	DATE 04/7/10	DR. MG	CK.	APPR.
A				 Hubbell Industrial Controls, Inc. 4301 Cheyenne Drive, Archdale, N.C. 27263	DRG. NO. A- 60CF001			
Rev.	DATE	BY	DESCRIPTION		1 OF 1			